



HIGH
PERFORMANCE

The product shown may differ
from standard configuration.

TOUREA® HIGH PERFORMANCE

Comfort seat with pneumatic suspension

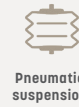


TOUREA® HIGH PERFORMANCE

Technical Data

The perfect partner for the long haul.

For the longer journey, the TOUREA High Performance is the perfect choice. The pneumatic suspension system is fitted with a new type of shock-absorber and control technology. Also, pneumatically controlled lumbar and side support keep you in your optimum position. The GRAMMER Design-For-Use concept intuitively puts all the seating adjustments at your fingertips. The TOUREA High Performance is optionally available with turntable and integrated lane departure warning system (LDWS).

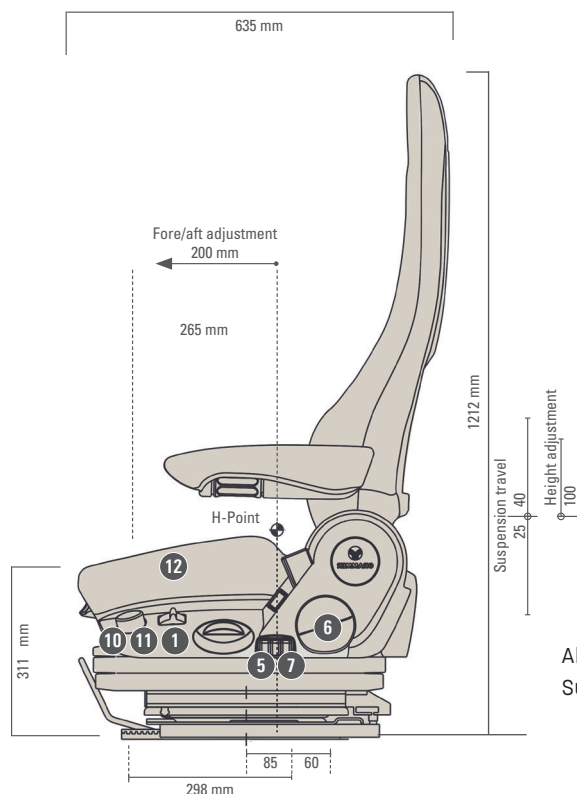
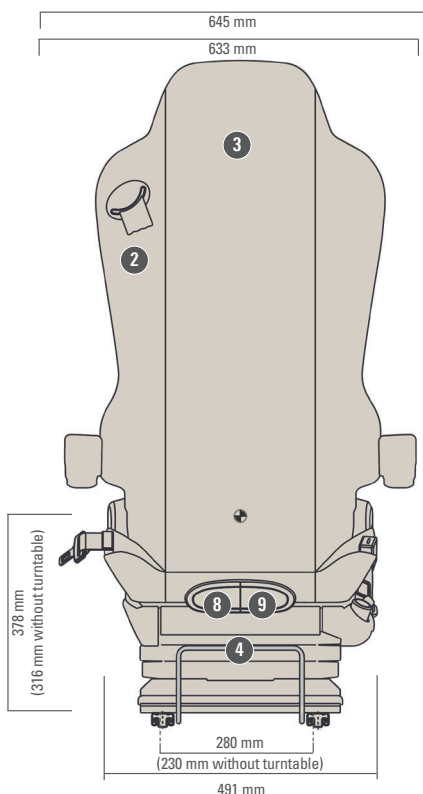


FEATURES

	TOUREA® HP	TOUREA® HP	TOUREA® HP	TOUREA® HP
ARTICLE NO.	1141291	1366916	1141341	1366911
Fabric cover	●	●	●	●
STANDARD FEATURES				
Right-hand controls	●	●	●	●
1 Adjustable shock absorber	●	●	●	●
2 3-point safety belt system	●	●	●	●
Suspension travel, 80 mm	●	●	●	●
Height adjustment, 100 mm	●	●	●	●
3 Integrated headrest	●	●	●	●
4 Fore/aft adjustment	●	●	●	●
5 Pneumatic lumbar support	●	●	●	●
6 Adjustable backrest	●	●	●	●
7 Adjustable side support	●	●	●	●
8 Adjustable seat cushion depth	●	●	●	●
9 Tilt adjustment	●	●	●	●
10 Quick down	●	●	●	●
11 Turntable 50° right / 90°left			●	●
12 Lane departure warning system (LDWS)		●		●

Measurements (installation dimensions)

● STANDARD FEATURES ○ OPTIONAL FEATURES



All dimensions in mm.
Subject to technical changes.