



The product shown may differ from standard configuration.

PRIMO[®] XM

Standard Seat with Mechanical Suspension



PRIMO® XM

Technical data

Standard seat

This model's low-constructed mechanical suspension with 80 mm of travel features an easily accessible ratcheting handle for optimal adjustment to the driver's weight. Safe, ergonomic sitting is also ideally enabled by a comfortable, 470-mm-wide seat cushion and mechanical lumbar support. The Primo XM is equipped with an operator presence switch as well as a duosensitive ELR-belt system as standard.



Mechanical suspension



Mechanical lumbar support



Manual weight adjustment

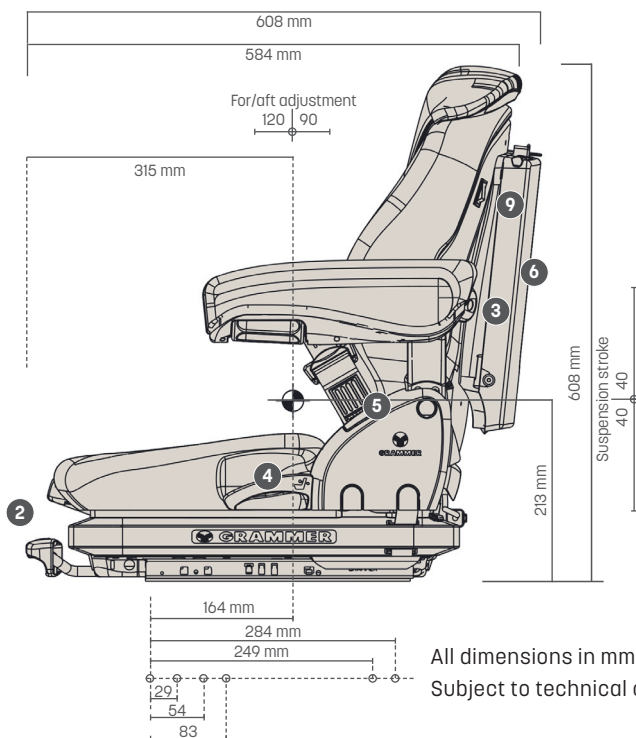
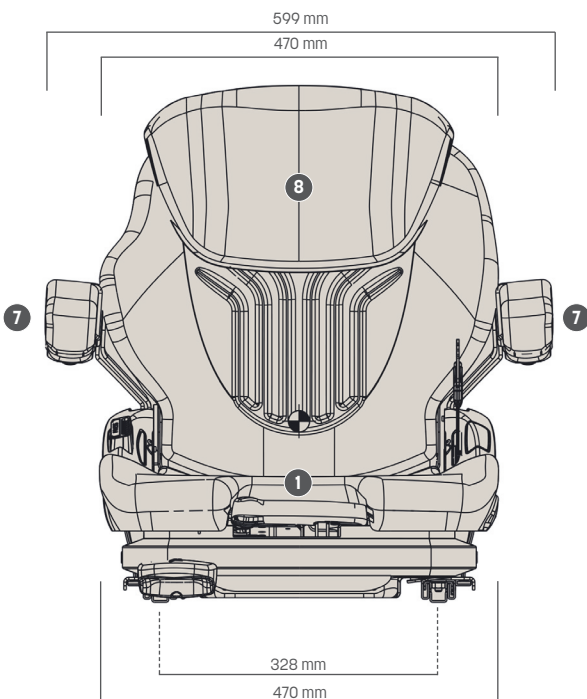
Features

	PRIMO® XM		PRIMO® XM
ARTICLE NO.		5	ELR-belt system, duosensitive
Fabric	1293487		Seat cushion width
Imitation leather	1091027		Operator presence switch (OPS)
STANDARD FEATURES			
Shock absorber, nonadjustable	●		OPTIONAL FEATURES
Suspension, mechanical	●	6	Document box
Suspension stroke, 80 mm	●	7	Armrests, height adjustable,
1 Weight adjustment, manual, 45-170 kg	●		60 mm x 320 mm
2 Fore/aft adjustment, 210 mm	●		Fore/aft isolator*
3 Lumbar support, mechanical	●	8	Backrest extension, integrated
4 Adjustable backrest angle	●	9	Seat heating

* Fore/aft isolator not for earth-moving machinery

Measurements (installation dimensions)

● STANDARD FEATURES ○ OPTIONAL FEATURES



All dimensions in mm.
Subject to technical changes.