



The product shown may differ from standard configuration.



ROADTIGER® COMFORT

The comfort model



Ergonomics
Regular
Product
Surveillance

www.tuv.com
ID 1111255115



ROADTIGER® COMFORT

Technical data

The comfort model

The ROADTIGER Comfort offers additional features to make the driver's journey that much more pleasant. The passive climate system and seat heating ensure wellbeing in all temperatures. Thanks to the shoulder adjustment, the adjustable side support in the backrest and the 3-step seat belt height adjustment the seat can be made to fit the driver even more perfectly.



Features

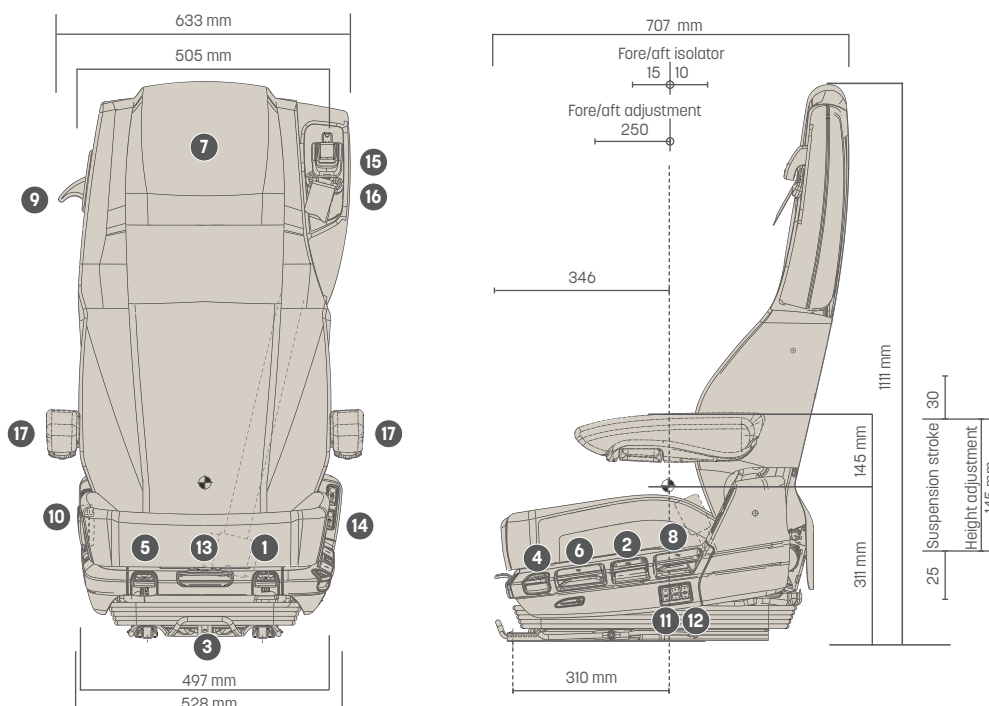
ROADTIGER® COMFORT

ROADTIGER® COMFORT

PART NUMBERS			
	Daimler (left, track gauge 280 mm)	1439933-A	
	Daimler (right, track gauge 280 mm)	1439934-A	
	DAF (left, track gauge 305 mm)	1401908-A	
	DAF (right, track gauge 305 mm)	1401911-A	
STANDARD FEATURES			
	Air suspension	●	
1	Shock absorber, adjustable in 4 steps	●	
	Suspension stroke, 55 mm	●	
2	Height adjustment, 145 mm	●	
	Automatic weight adjustment, 50 - 190 kg	●	
3	Fore/aft adjustment Daimler	230 mm	
	Fore/aft adjustment DAF	220 mm	
4	Quick down	●	
5	Fore/aft isolator, 25 mm	●	
6	Adjustable seat cushion angle	●	
7	Integrated headrest	●	
8	Adjustable backrest angle	●	
9	Tunnel-side backrest release	●	
10	Pneumatic shoulder adjustment	●	
11	Pneumatic lumbar support	●	
12	Adjustable side support, backrest	●	
13	Adjustable seat cushion depth, 60 mm, 6 steps	●	
	Passive climate system	●	
14	Seat heating, 2 steps	●	
15	Integrated 3-point belt	●	
16	Belt height adjustment, 60 mm, in 3 steps	●	
	Belt buckle with contact switch (only DAF)	●	
	Seat belt pretensioner (only DAF)	●	
	Upholstery fabric	●	
OPTIONAL FEATURES			
17	Comfortable armrests, tiltable	○	
	Comfortable armrests tiltable, covered in fabric	○	

Measurements (installation dimensions)

● STANDARD FEATURES ○ OPTIONAL FEATURES



Different track gauges available. All dimensions in mm. Subject to technical changes.