



The product shown may differ from standard configuration.

ACTIMO® XXL

Comfort Seat with

Extra Wide Pneumatic Suspension

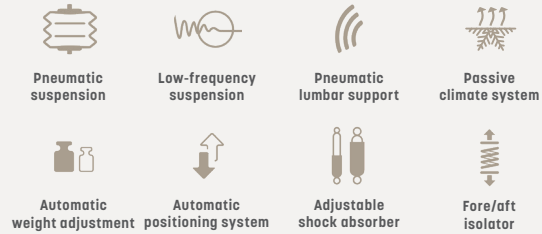


ACTIMO® XXL

Technical data

Comfort seat

Thanks to its extra-wide pneumatic suspension, the Actimo XXL is ideal for installing large, heavy multifunctional armrests. The low-frequency suspension delivers outstanding comfort, being designed to attenuate the vibrations that typically occur in large construction machines. An automatic positioning system and adjustable shock absorber additionally enhance the experience.



Features

ARTICLE NO.	
Fabric, Compressor 24V	
STANDARD FEATURES	
1	Shock absorber, adjustable
	APS (Automatic Positioning System)
	Pneumatic suspension with 24 V compressor
	Low-frequency suspension extra wide, strengthened construction
	Suspension stroke, 100 mm
	Weight adjustment, automatic, 50-130 kg
2	Height adjustment, 80 mm, infinite (pneum.)
	Climate system, passive
3	Fore/aft adjustment, 170 mm
4	Fore/aft isolator, lockable
5	Lumbar support, pneumatic

ACTIMO® XXL

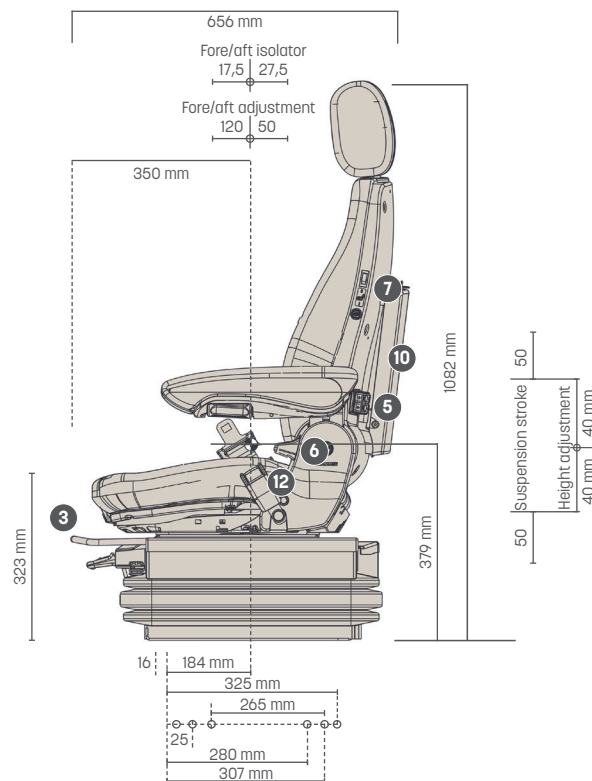
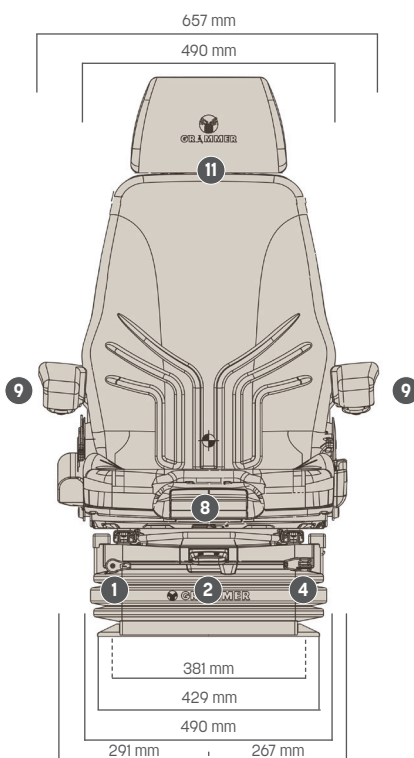
1294779
●
●
●
●
●
●
●
●
●
●
●

ACTIMO® XXL

6	Adjustable backrest angle	●
	Seat cushion width	490 mm
7	Seat heating	●
8	Adjustable seat cushion depth and angle	●
OPTIONAL FEATURES		
9	Armrests, 65 mm x 270 mm	○
	80 mm x 320 mm, adjustable angle	○
	80 mm x 380 mm, adjustable angle	○
10	Document box	○
11	Headrest	○
12	Restraint system	○
	Lateral suspension	○
	Operator presence switch (OPS)	○
	Control carrier consoles	○

Measurements (installation dimensions)

● STANDARD FEATURES ○ OPTIONAL FEATURES



All dimensions in mm.
Subject to technical changes.