



The product shown may differ from standard configuration.

MAXIMO® XT DYNAMIC PLUS

With Dualmotion

Adaptive Back Support

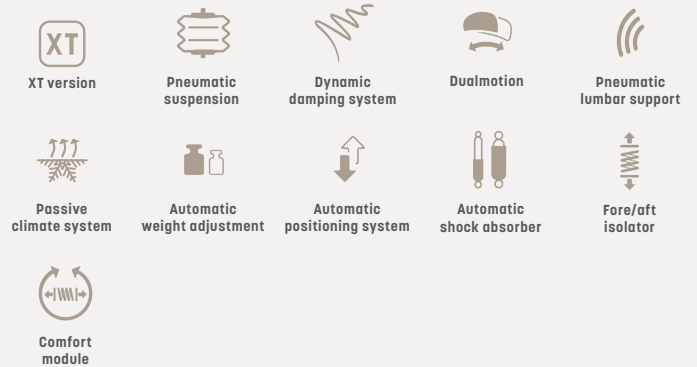


MAXIMO® XT DYNAMIC PLUS

Technical Data

Comfort Seat

In addition to the Dynamic Damping System, the Maximo XT Dynamic Plus features the unique Dualmotion technology. The upper backrest of the seat rotates with the driver when needed. Together with the swivel, this ensures perfect visibility and safe operation during rear-facing activities, while providing optimum support for the back. The Maximo XT Dynamic Plus features a wider suspension for use in combination with heavy multifunctional armrests (not included).



Features

MAXIMO® XT DYNAMIC PLUS

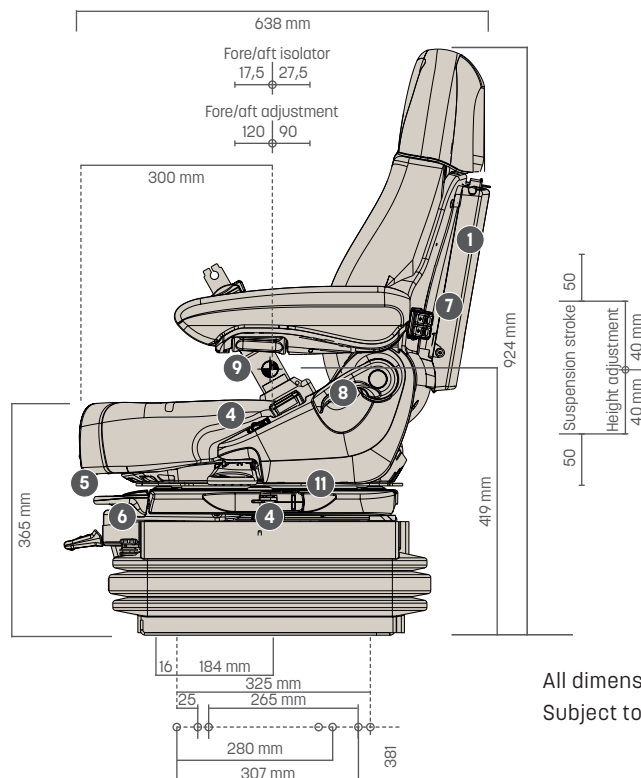
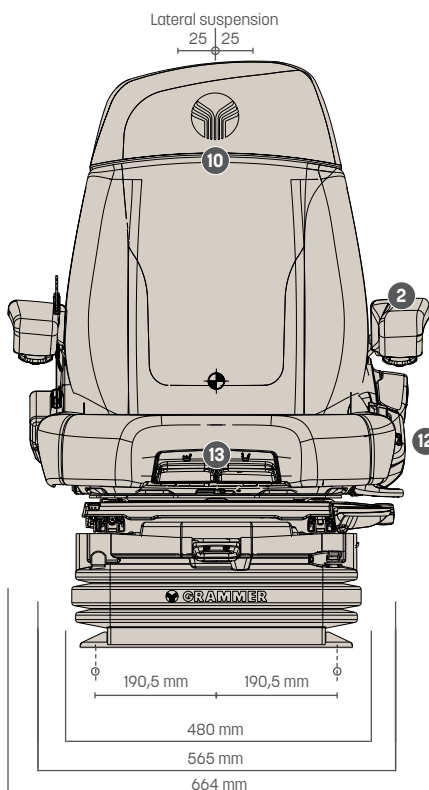
ARTICLE NO.	
Fabric/Alcantara	1423376
STANDARD FEATURES	
1 Document box	●
APS (Automatic positioning system)	●
2 Armrests, adjustable angle, 80 x 380 mm	●
Shock absorber, automatic	●
3 Swivel, adjustable range 7,5° left, 15° right	●
Pneumatic suspension with 12 V compressor	●
Extra-wide, ruggedised version	●
Dynamic Damping System	●
Suspension stroke, 120 mm	●
Weight adjustment, automatic, 50-130 kg	●
4 Height adjustment, 80 mm, infinite (air assisted)	●

MAXIMO® XT DYNAMIC PLUS

Climate system, passive	●
5 Fore/aft adjustment, 210 mm	●
6 Fore/aft isolator, lockable	●
7 Lumbar support, pneumatic, 2-fold	●
8 Adjustable backrest angle	●
9 Restraint system, duo-sensitive	●
10 Adaptive back support Dualmotion	●
11 Lateral suspension, lockable	●
Seat cushion width	565 mm
12 Seat heating, 2-step	●
13 Adjustable seat cushion depth and angle	●
OPTIONAL FEATURES	
Operator presence switch (OPS)	○
Adapter plate for multifunctional armrest	○

Measurements (installation dimensions)

● STANDARD FEATURES ○ OPTIONAL FEATURES



All dimensions in mm.
Subject to technical changes.