



NEW
DESIGN

The product shown may differ from standard configuration.

MAXIMO® XT EVOLUTION ACTIVE

High-End Seat with Actively and
Electronically Controlled Suspension



GRAMMER

MAXIMO® XT EVOLUTION ACTIVE

Technical Data

High-End Seat

The innovative actively and electronically controlled suspension of the Maximo XT Evolution Active reduces vibrations by an average of 40%, and the peak acceleration levels by as much as 75%. Electronic weight adjustment completely automatically sets the seat to the user's weight. With the adjustable side support in the backrest the seat can be adjusted even more individually to the driver's body. An active seat climate system with removal of body moisture additionally enhances comfort. The Maximo XT Evolution Active features a wider suspension for use in combination with heavy multi-functional armrests (not included).



Features

MAXIMO® XT EVOLUTION ACTIVE

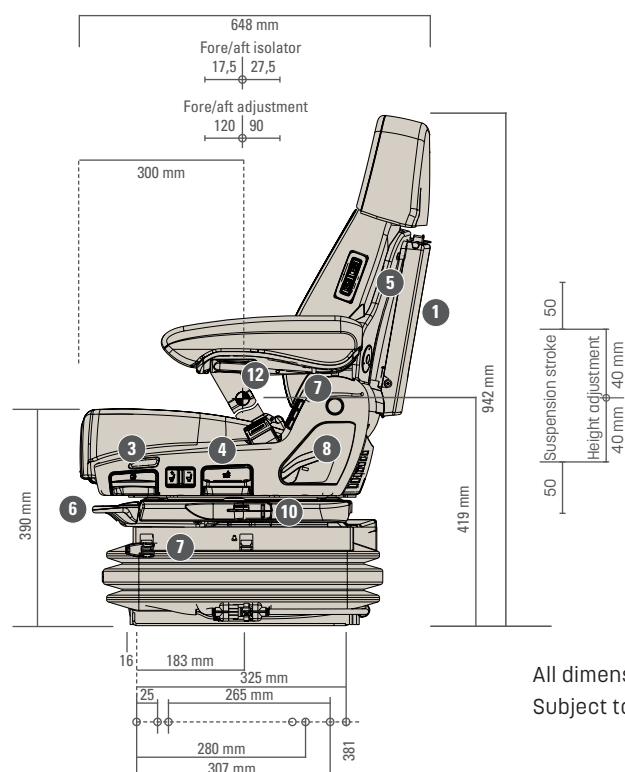
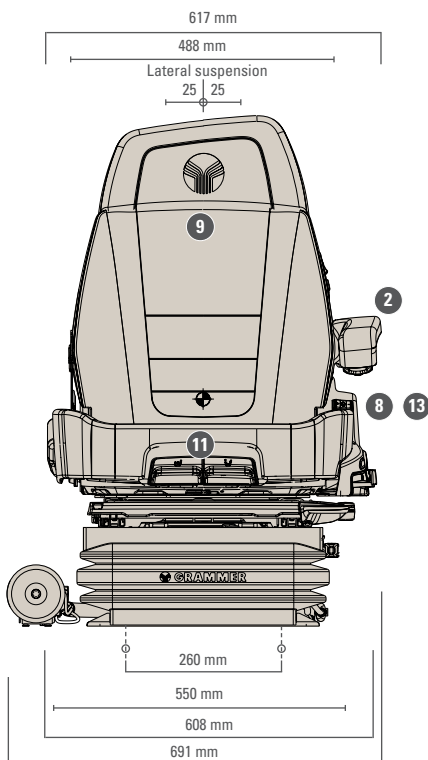
| | |
|---|---------|
| ARTICLE NO. | |
| Fabric/Alcantara | 1424507 |
| STANDARD FEATURES | |
| 1 Document box APS (Automatic positioning system) | ● |
| 2 Armrest left, adjustable angle, 80 x 380 mm Shock absorber, automatic | ● |
| 3 Swivel, adjustable range 15° Pneumatic suspension with 12 V compressor Electronic active controlled suspension (EAC) Low-frequency suspension Shock absorber, automatic Suspension stroke, 120 mm Weight adjustment, (electronic), 50-130 kg | ● |
| 4 Height adjustment, 80 mm, infinite (air-assisted) | ● |
| 5 Climate system, active | ● |

MAXIMO® XT EVOLUTION ACTIVE

| | |
|---|------------------|
| 5 Seat heating, 2 steps | ● |
| 6 Fore/aft adjustment, 210 mm | ● |
| 7 Fore/aft isolator, lockable | ● |
| 8 Lumbar support, pneumatic, 2-fold | ● |
| 9 Adjustable backrest angle | ● |
| 10 Adaptive backrest Dualmotion | ● |
| 11 Lateral suspension, lockable | ● |
| 12 Adjustable seat cushion depth and angle | ● |
| 13 Adjustable side support, backrest Operator presence switch (OPS) Seat cushion width | ● ● 550 mm |
| 14 Restraint system, duo-sensitive | ● |
| OPTIONAL FEATURES | |
| Armrest right, adjustable angle, 80 x 380 mm | ○ |
| Adapter plate for multifunctional armrest | ○ |

Measurements (installation dimensions)

● STANDARD FEATURES ○ OPTIONAL FEATURES



All dimensions in mm.
Subject to technical changes.