



The product shown may differ from standard configuration.

MAXIMO® COMFORT PLUS

Standard Seat with
Automatic Positioning System



MAXIMO® COMFORT PLUS

Technical Data

Standard Seat

With the Maximo Comfort Plus the driver benefits greatly from this seat's pneumatic suspension with automatic positioning system (APS), which provides for greater comfort and safety by ensuring that the seat is in the best possible position at all times.



Pneumatic suspension



Mechanical lumbar support



Automatic weight adjustment



Automatic positioning system



Fore/aft isolator

Features

MAXIMO® COMFORT PLUS

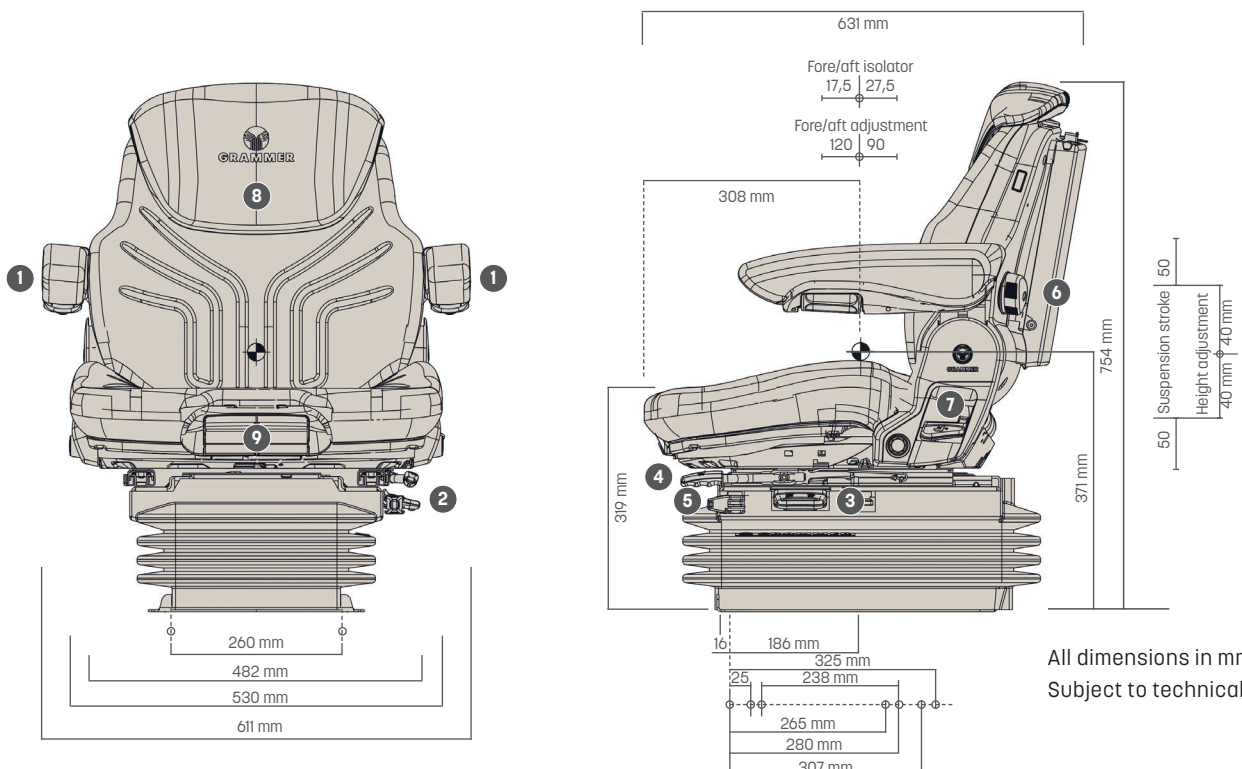
ARTICLE NO.	
Fabric	1288546
Imitation leather	1234485
STANDARD FEATURES	
APS (Automatic positioning system)	●
1 Armrests, adjustable angle, 60 x 380 mm	●
Shock absorber, nonadjustable	●
Pneumatic suspension with 12 V compressor	●
Suspension stroke, 100 mm	●
2 Weight adjustment, automatic 50-130 kg	●
3 Height adjustment, 80 mm, infinite (pneumatic)	●

MAXIMO® COMFORT PLUS

4 Fore/aft adjustment, 210 mm	●
5 Fore/aft isolator, lockable	●
6 Lumbar support, mechanical	●
7 Adjustable backrest angle	●
8 Integrated backrest extension	●
9 Adjustable seat cushion depth and angle	●
Seat cushion width	530 mm
OPTIONAL FEATURES	
Document box	○
Restraint system	○
Lateral suspension	○
Seat heating	○
Operator presence switch (OPS)	○

Measurements (installation dimensions)

● STANDARD FEATURES ○ OPTIONAL FEATURES



All dimensions in mm.
Subject to technical changes.