



NEW
DESIGN

The product shown may differ from standard configuration.

MAXIMO[®] EVOLUTION DYNAMIC

Premium Seat with Dynamic Damping System[®]



MAXIMO® EVOLUTION DYNAMIC

Technical Data

Premium Seat

The Maximo Evolution Dynamic with Dynamic Damping System raises the bar for comfortable seating in passive suspension seats for midsized and large tractors. The adaptive back support Dualmotion lets the upper backrest follow the driver's rotational movements and protects his or her back while ensuring optimum vision. With the adjustable side support in the backrest the seat can be adjusted even more individually to the driver's body. The electronic weight adjustment fully automatically adjusts the seat to the driver's weight. An active seat climate system with removal of body moisture additionally enhances comfort. Optionally, multifunctional armrests can be connected with various adapter plates.



Features

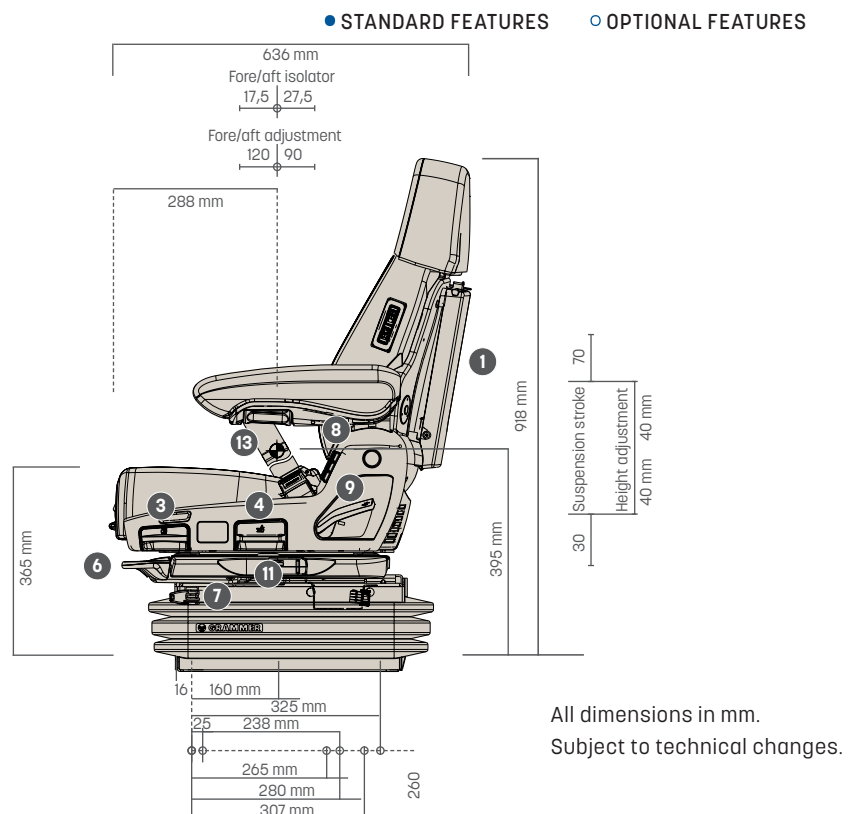
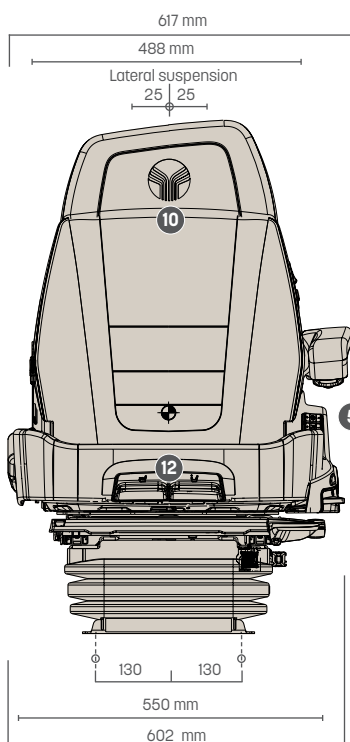
MAXIMO® EVOLUTION DYNAMIC

ARTICLE NO.	
Fabric/Alcantara	1424447
STANDARD FEATURES	
1 Document box	●
APS (Automatic positioning system)	●
2 Armrest left, adjustable angle, 80 x 380 mm	●
Shock absorber, automatic	●
3 Swivel, adjustable range 20°	●
Pneumatic suspension with 12 V compressor	●
Dynamic Damping System	●
Low-frequency suspension	●
Suspension stroke, 120 mm	●
Weight adjustment, active (electronic), 50-130 kg	●
4 Height adjustment, 80 mm infinite (air-assisted)	●
5 Climate system, active	●

MAXIMO® EVOLUTION DYNAMIC

Seat heating, 2-step	●
6 Fore/aft adjustment, 210 mm	●
7 Fore/aft isolator, lockable	●
8 Lumbar support, pneumatic, 2-fold	●
9 Adjustable backrest angle	●
10 Adaptive back support Dualmotion	●
11 Lateral suspension, lockable	●
12 Adjustable seat cushion depth and angle	●
Operator presence switch (OPS)	●
Seat cushion width	550 mm
Adjustable side support, backrest	●
13 Restraint system, duo-sensitive	●
OPTIONAL FEATURES	
Armrest right, adjustable angle, 80 x 380 mm	○
Adapter plate for multifunctional armrest	○

Measurements (installation dimensions)



All dimensions in mm.
Subject to technical changes.