



The product shown may differ from standard configuration.

# MAXIMO® DYNAMIC PLUS

With Dualmotion

Adaptive Back Support

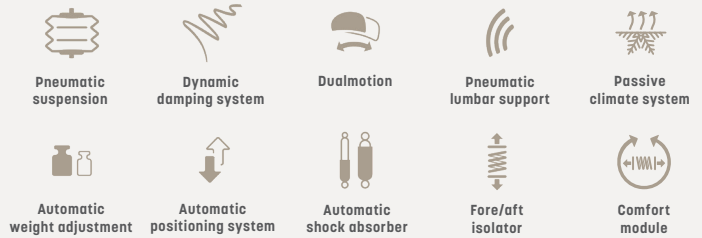


# MAXIMO® DYNAMIC PLUS

## Technical Data

### Comfort Seat

In addition to the Dynamic Damping System, the Maximo Dynamic Plus features the unique Dualmotion technology. The upper backrest of the seat rotates with the driver when needed. Together with the swivel, this ensures perfect visibility and safe operation during rear-facing activities, while providing optimum support for the back. Optionally, multifunctional armrests can be connected with various adapter plates.



### Features

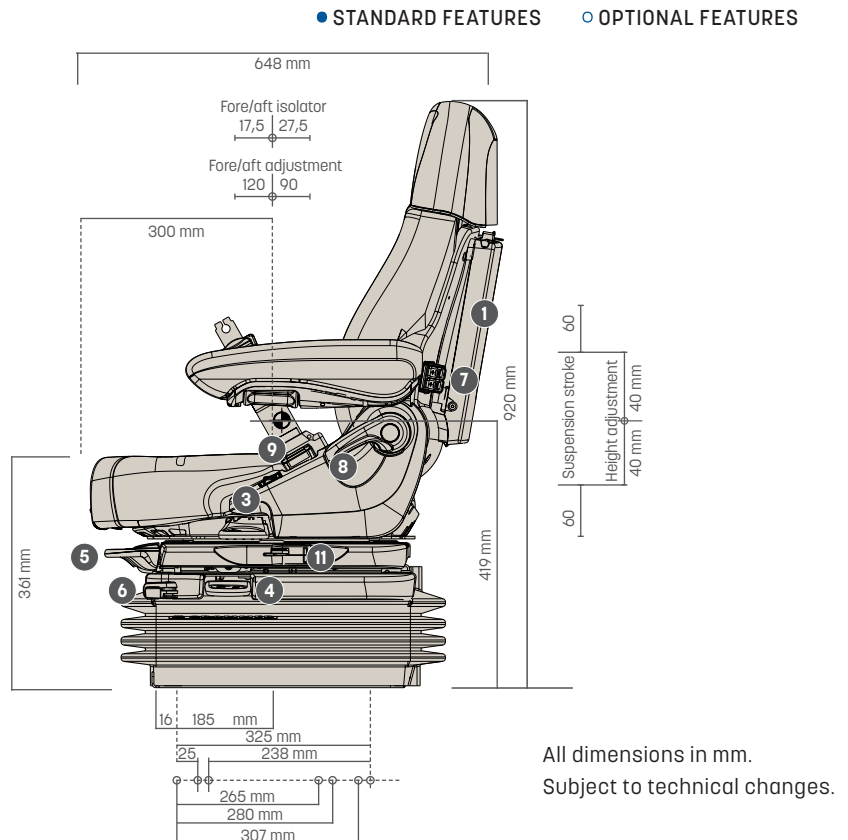
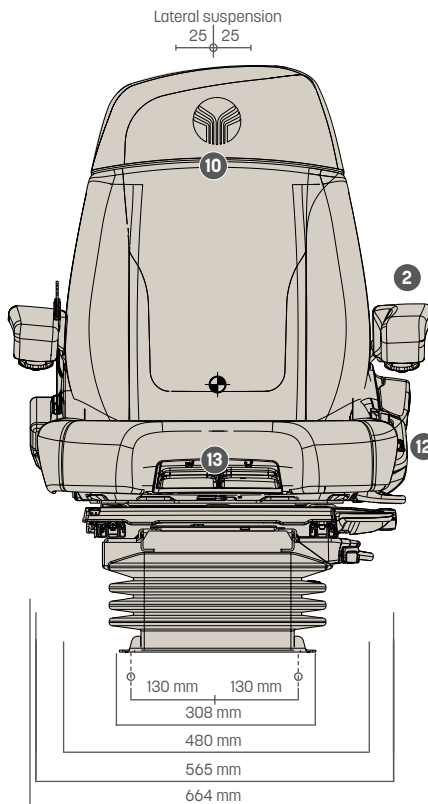
### MAXIMO® DYNAMIC PLUS

ARTICLE NO.	
Fabric / Alcantara	1420563
<b>STANDARD FEATURES</b>	
<b>1</b> Document box	●
APS (Automatic positioning system)	●
<b>2</b> Armrests, adjustable angle, 80 x 380 mm	●
Shock absorber, automatic	●
<b>3</b> Swivel	●
Pneumatic suspension with 12 V compressor	●
Dynamic Damping System	●
Suspension stroke, 120 mm	●
Weight adjustment, automatic, 50-130 kg	●
<b>4</b> Height adjustment, 80 mm infinite (pneumatic)	●
Climate system, passive	●

### MAXIMO® DYNAMIC PLUS

<b>5</b> Fore/aft adjustment, 210 mm	●
<b>6</b> Fore/aft isolator, lockable	●
<b>7</b> Lumbar support, pneumatic, 2-fold	●
<b>8</b> Adjustable backrest angle	●
<b>9</b> Restraint system, duo-sensitive	●
<b>10</b> Adaptive back support Dualmotion	●
<b>11</b> Lateral suspension, lockable	●
Seat cushion width	565 mm
<b>12</b> Seat heating, 2-step	●
<b>13</b> Adjustable seat cushion depth and angle	●
<b>OPTIONAL FEATURES</b>	
Operator presence switch (OPS)	○
Adapter plate for multifunctional armrest	○

### Measurements (installation dimensions)



All dimensions in mm.  
Subject to technical changes.